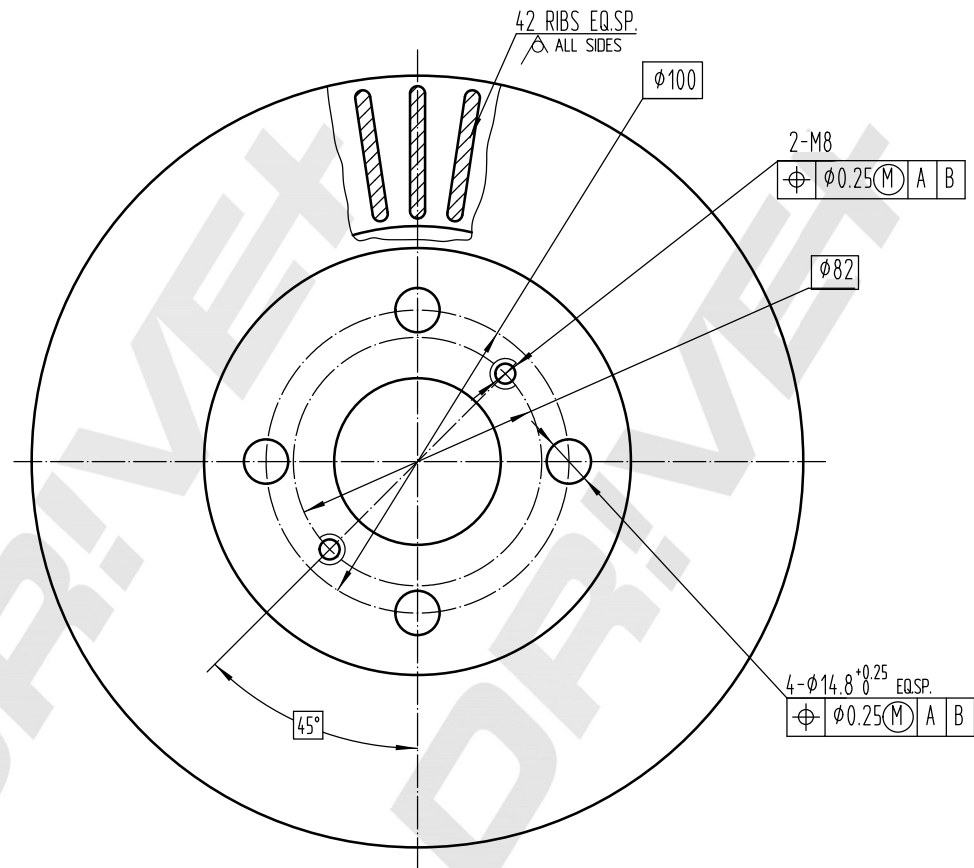


MIN TH 18 MM



DP Number	Part Number	Drawing Version Number	Drawing Issue Date	<b>DRIVET</b>
DP1010.11.1192	DBD1192	V1	2025.04.13	