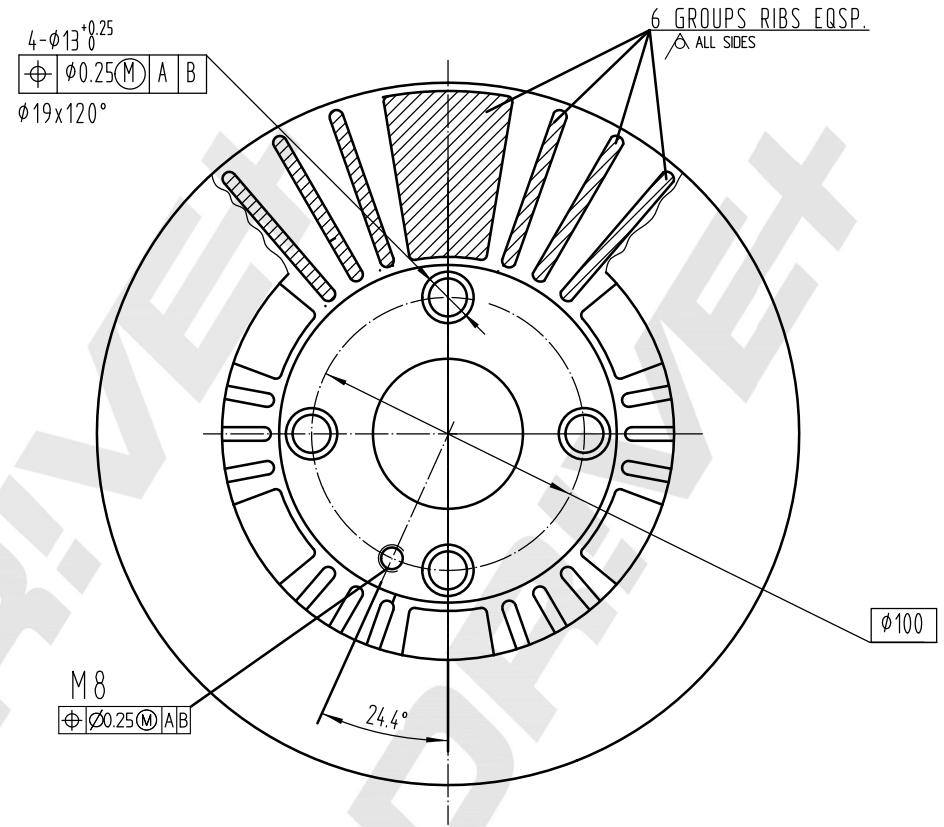


MIN TH 22MM



DP Number	Part Number	Drawing Version Number	Drawing Issue Date
DP1010.11.1258	DBD1258	V1	2025.04.13

