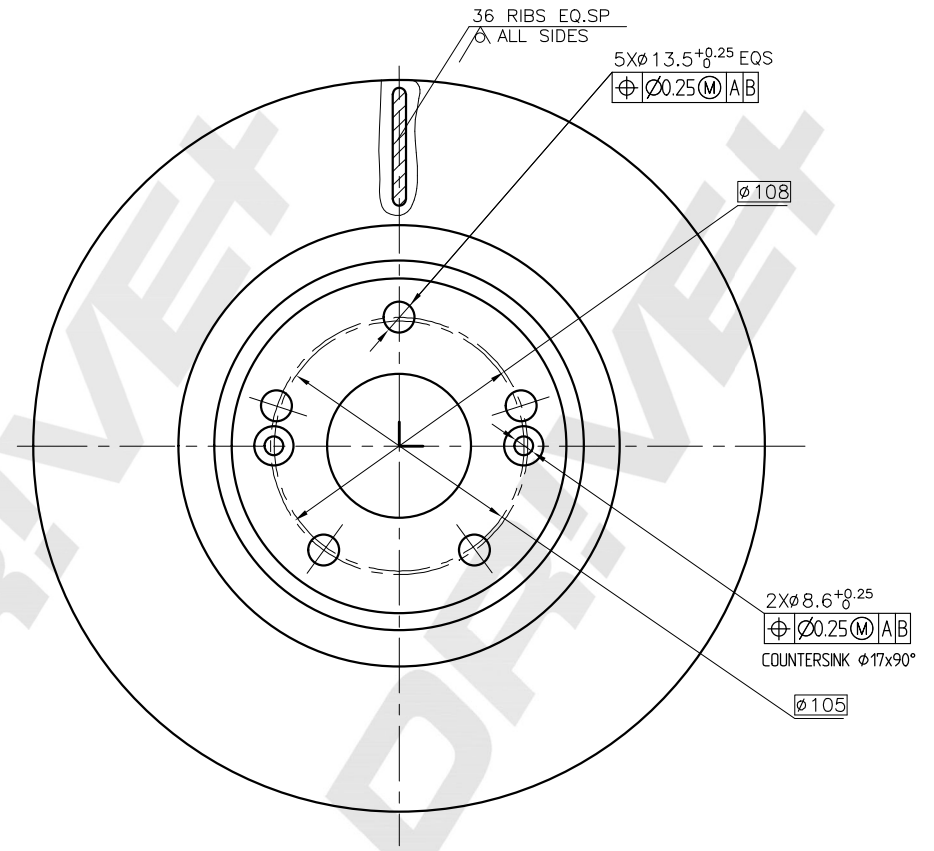


MIN THK 25.6 MM



DP Number	Part Number	Drawing Version Number	Drawing Issue Date
DP1010.11.1445	DBD1445	V1	2025.04.19

