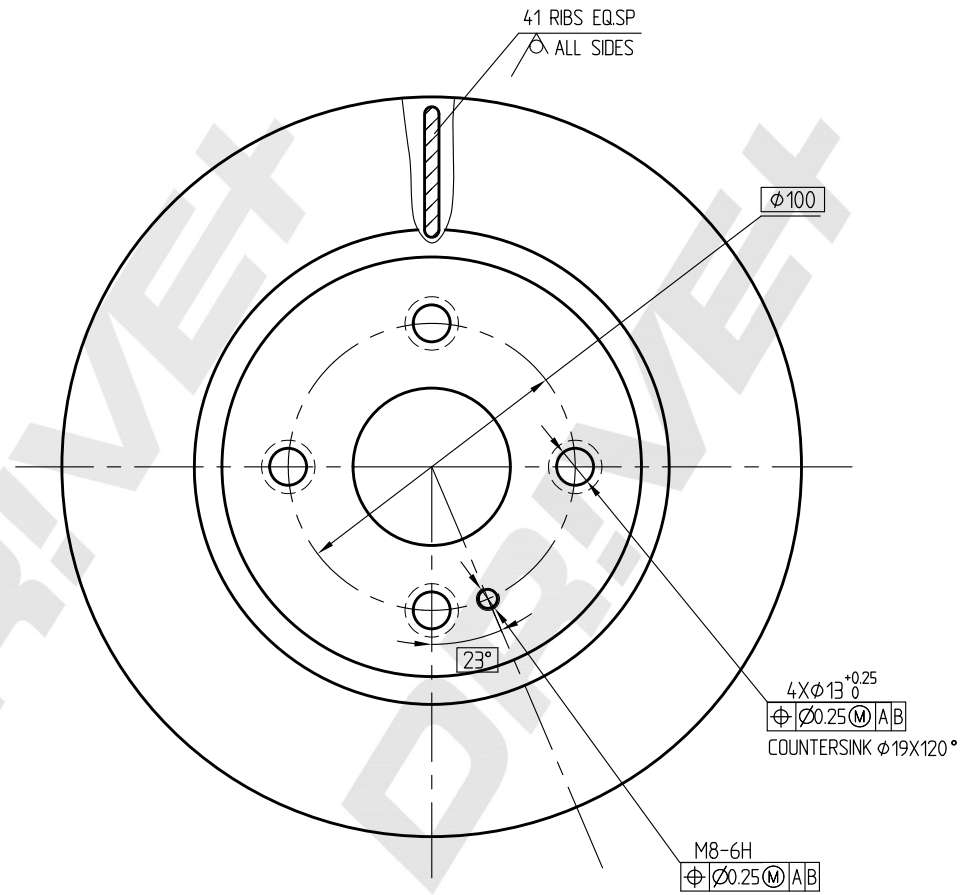


MIN THK 21 MM



| DP Number | Part Number | Drawing Version Number | Drawing Issue Date |
|----------------|-------------|------------------------|--------------------|
| DP1010.11.1482 | DBD1482 | V1 | 2025.04.13 |

