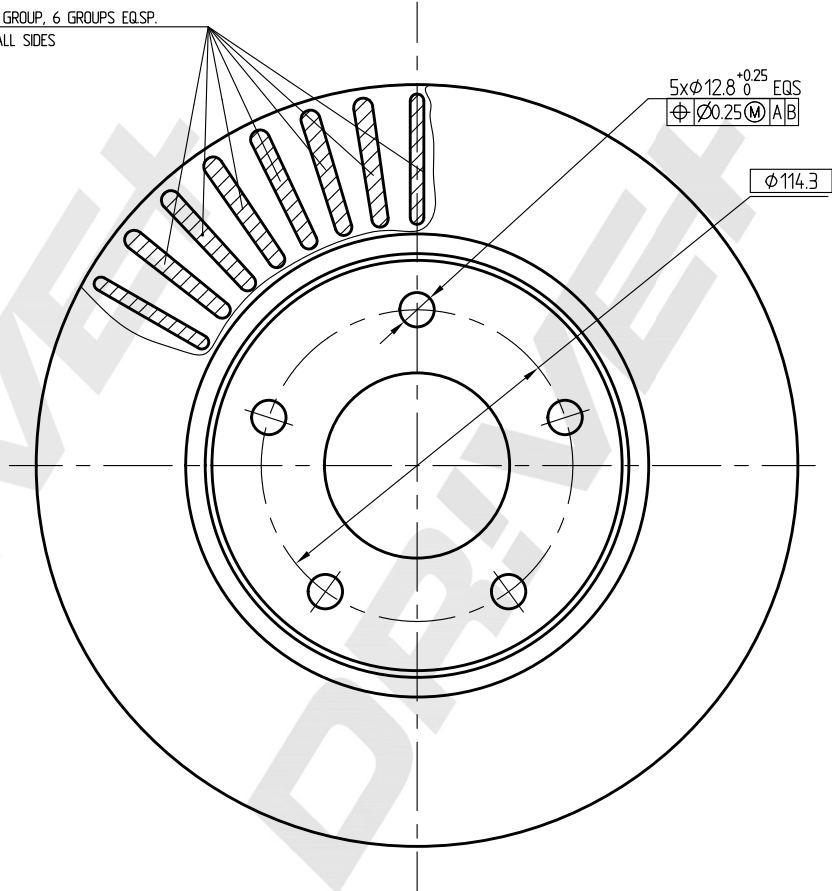


7 RIBS PER GROUP, 6 GROUPS EQ.SP.

ALL SIDES



MIN THK 22 MM

DP Number	Part Number	Drawing Version Number	Drawing Issue Date
DP1010.11.1570	DBD1570	V1	2025.04.13

