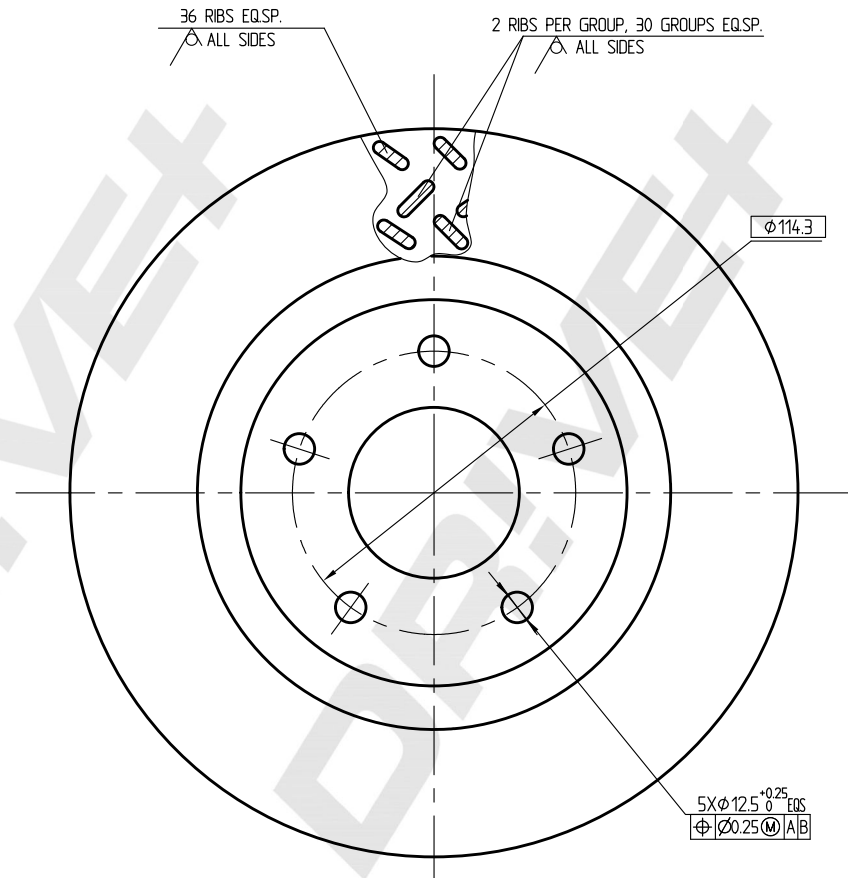


MIN THK 24.4 MM



DP Number	Part Number	Drawing Version Number	Drawing Issue Date
DP1010.11.1660	DBD1660	V1	2025.04.19

DRIVET