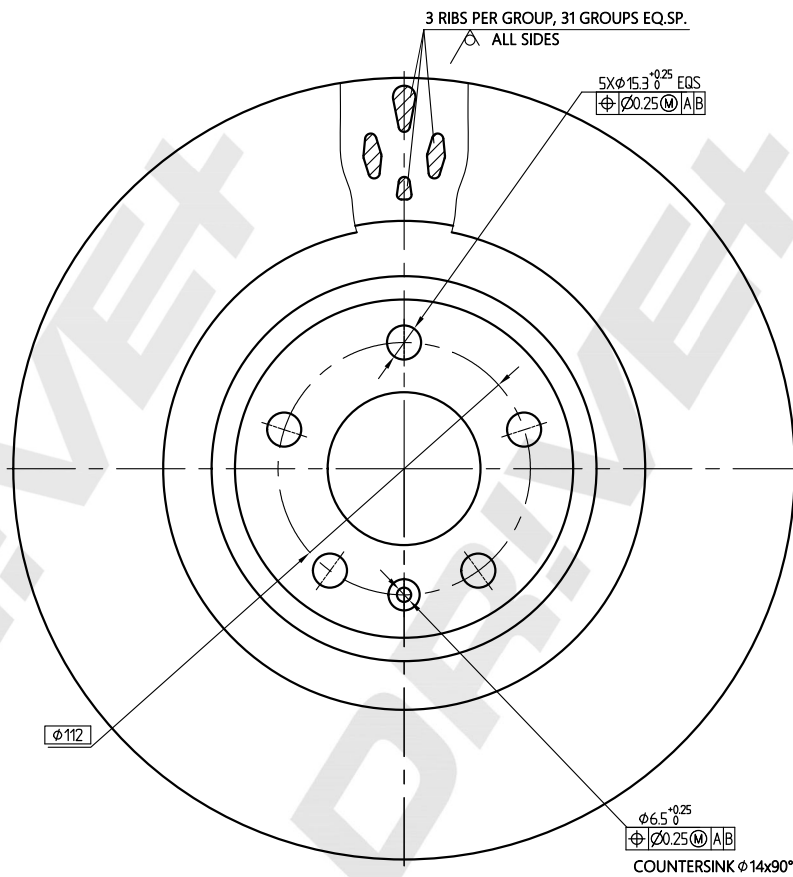


MIN THK 28 MM



DP Number	Part Number	Drawing Version Number	Drawing Issue Date
DP1010.11.1671	DBD1671	V1	2025.04.19

DRIVET