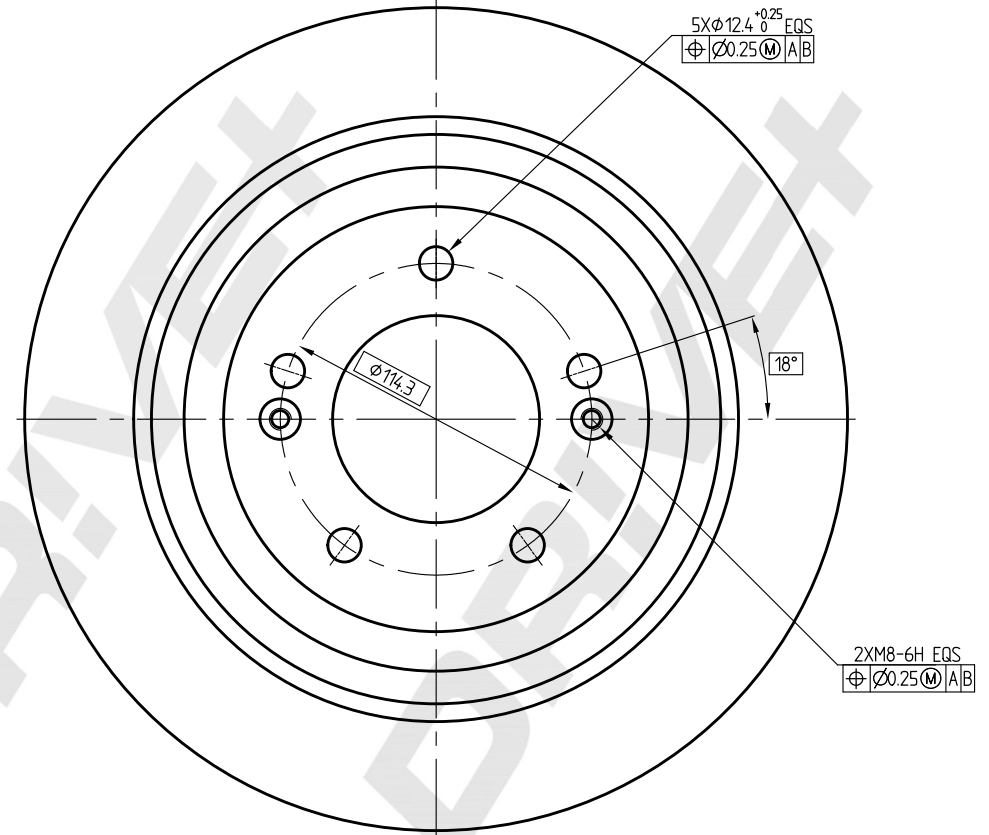


MIN THK 8.4 MM



DP Number	Part Number	Drawing Version Number	Drawing Issue Date	<b>DRIVET</b>
DP1010.11.1848	DBD1848	V1	2025.04.19	