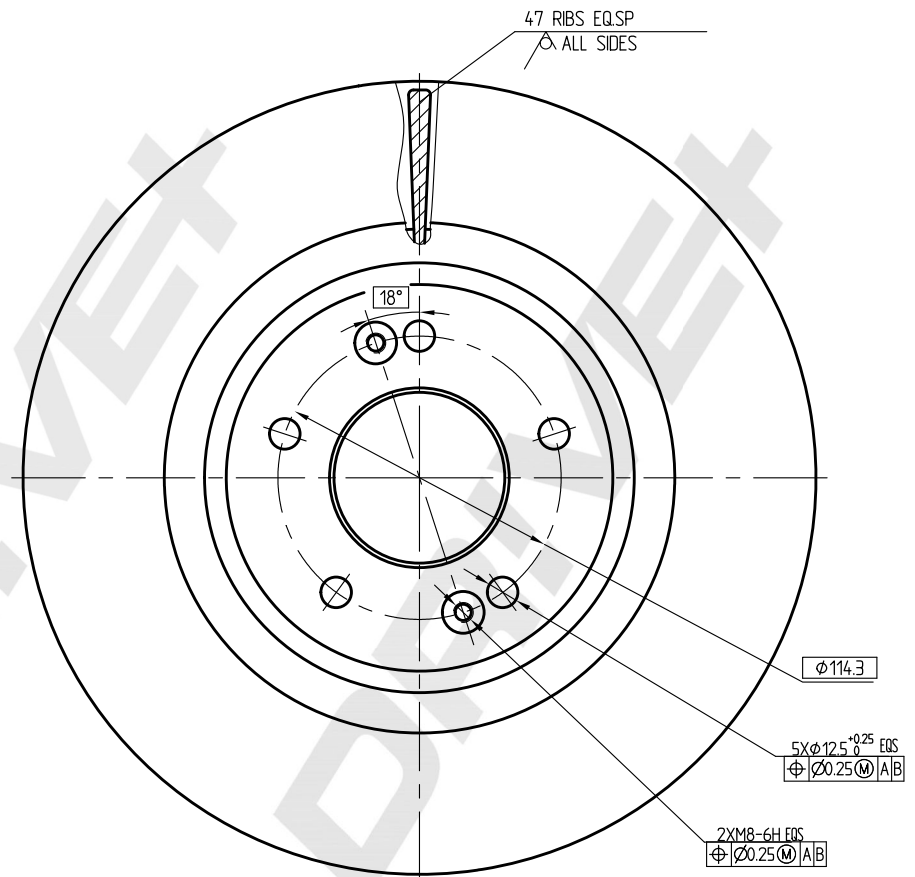


MIN THK 26.4 MM



DP Number	Part Number	Drawing Version Number	Drawing Issue Date	DR!VET
DP1010.11.1849	DBD1849	V1	2025.04.19	