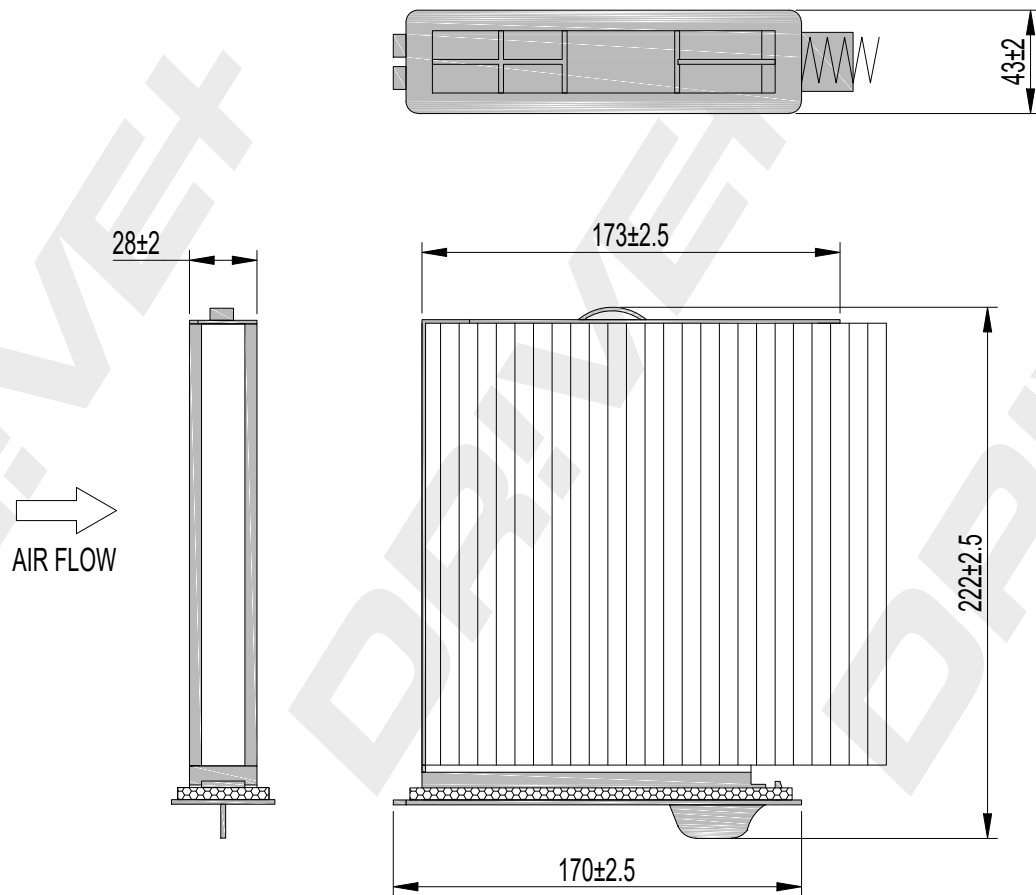


DRIVET



DP Number	Part Number	Drawing Version Number	Drawing Issue Date	DRIVET
DP1110.12.0420	DFC0420	V1	2025.03.14	