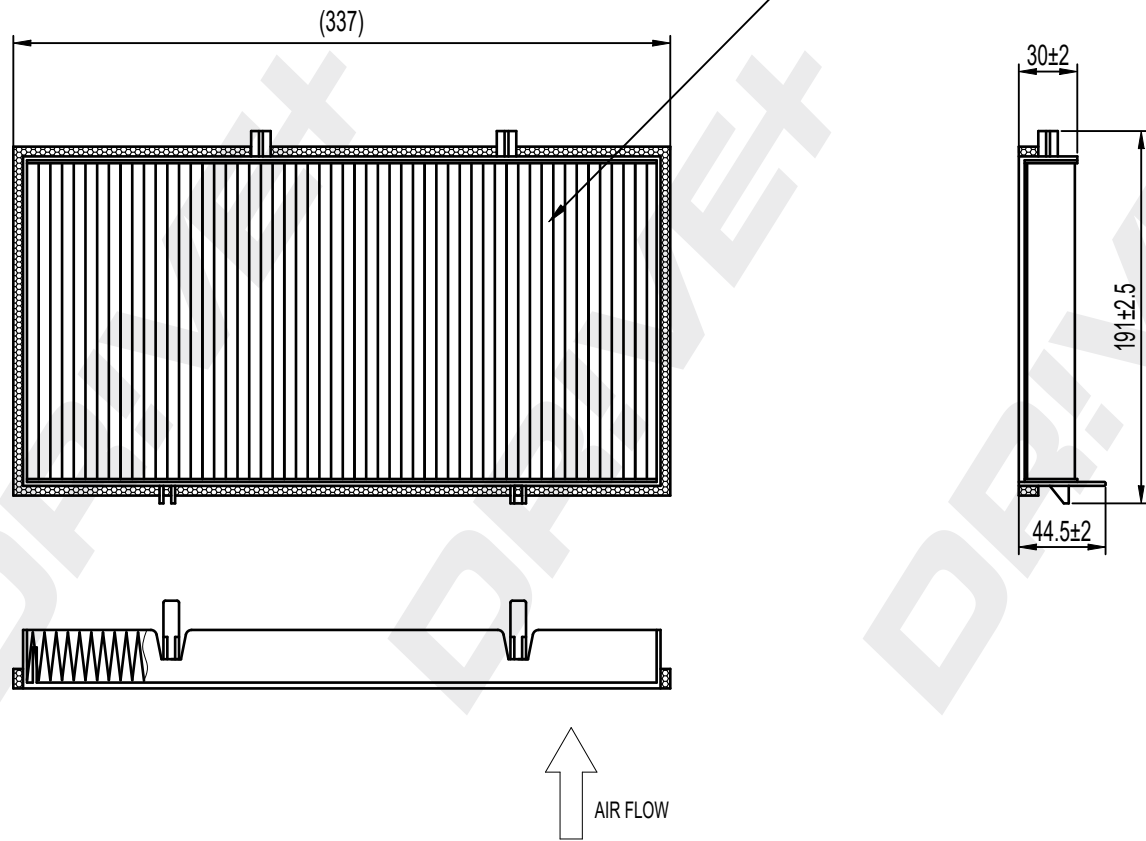


Antibacterial filter material



DP Number	Part Number	Drawing Version Number	Drawing Issue Date
DP1110.12.1072	DFC0025H	V1	2025.03.14

