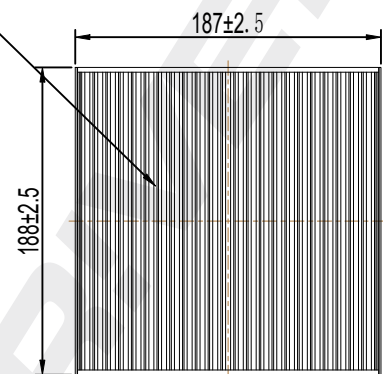
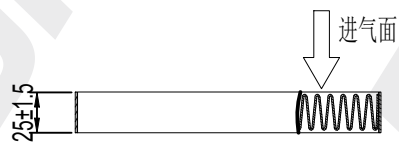
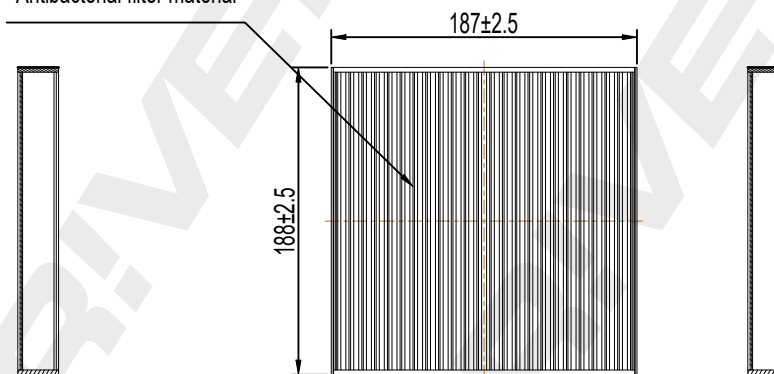


Antibacterial filter material



Antibacterial filter material



DP Number	Part Number	Drawing Version Number	Drawing Issue Date	DR!VET+
DP1110.12.1117	DFC0160H	V1	2025.03.14	