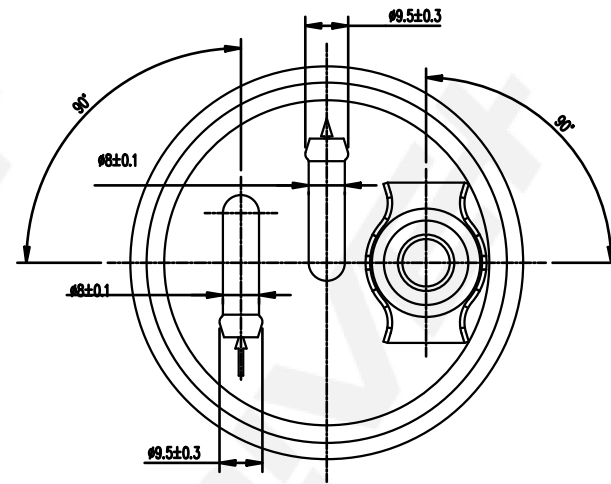


沿壳体内壁两层滤纸全长度涂胶



DP Number	Part Number	Drawing Version Number	Drawing Issue Date
DP1110.13.0130	DFE0130	V1	2025.05.20

DR!VET